

Core Pin Specifications and Variables

High Quality Precision Form Ground

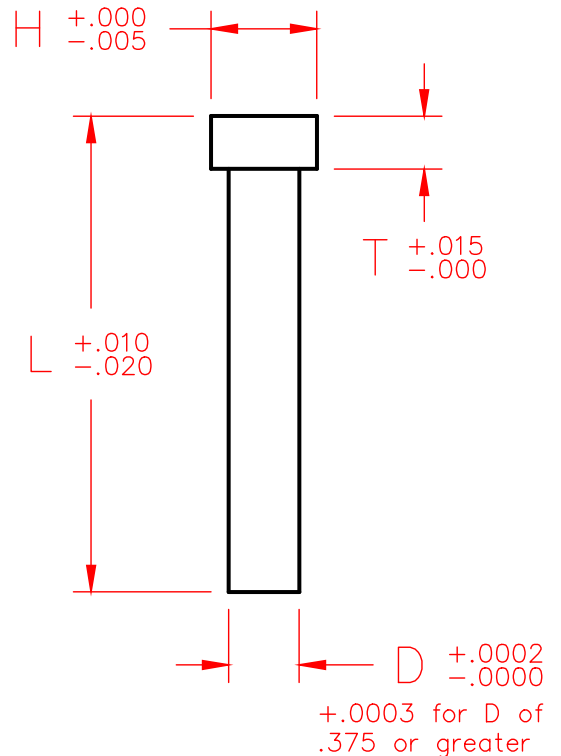
High Polished 6-8 Micro Finish

M-2 High Speed Steel 60-63 Rockwell C Standard

Also Stocked in 440 Stainless Steel

Common Sizes Stock up to 3.5" Long D+.0003 -.0000

Punch Diam. .001" Increm.	Head Diameter	Head Thickness	Standard Length
D	H	T	L
.006-.019"	1/32"	1/16"	2"
.020-.029"	3/64"	1/16"	2"
.030-.036"	1/16"	1/16"	2 1/2"
.037-.046"	5/64"	1/16"	2 1/2"
.047-.055"	3/32"	3/32"	2 1/2"
.056-.064"	7/64"	3/32"	2 1/2"
.065-.078"	1/8"	3/32"	2 1/2"
.079-.087"	9/64"	3/32"	2 1/2"
.088-.099"	5/32"	3/32"	2 1/2"
.100-.120"	11/64"	3/32"	2 1/2"
.121-.131"	3/16"	1/8"	2 1/2"
.132-.147"	13/64"	1/8"	2 1/2"
.148-.163"	7/32"	1/8"	2 1/2"
.164-.179"	15/64"	1/8"	2 1/2"
.180-.194"	1/4"	1/8"	2 1/2"
.195-.210"	17/64"	1/8"	2 1/2"
.211-.225"	9/32"	1/8"	2 1/2"
.226-.241"	19/64"	1/8"	2 1/2"
.242-.257"	5/16"	3/16"	2 1/2"
.258-.272"	21/64"	3/16"	2 1/2"
.273-.288"	11/32"	3/16"	2 1/2"
.289-.304"	23/64"	3/16"	2 1/2"
.305-.320"	3/8"	3/16"	2 1/2"
.321-.336"	25/64"	3/16"	2 1/2"
.337-.352"	13/32"	3/16"	2 1/2"
.353-.368"	27/64"	3/16"	2 1/2"
.369-.375"	7/16"	3/16"	2 1/2"
.376-.625"	D+.060+.090	3/16"	2 1/2"
.626-1.000"	D+.060+.090	3/16"	2 1/2"



Note: Lengths up to 12", custom designs, and special hardnesses can be made to order.

Visit us online at
www.precisionpunch.com